

J & J Sales

Phone: 402-986-3667
E-mail: jerry.berry@adhsinc.com

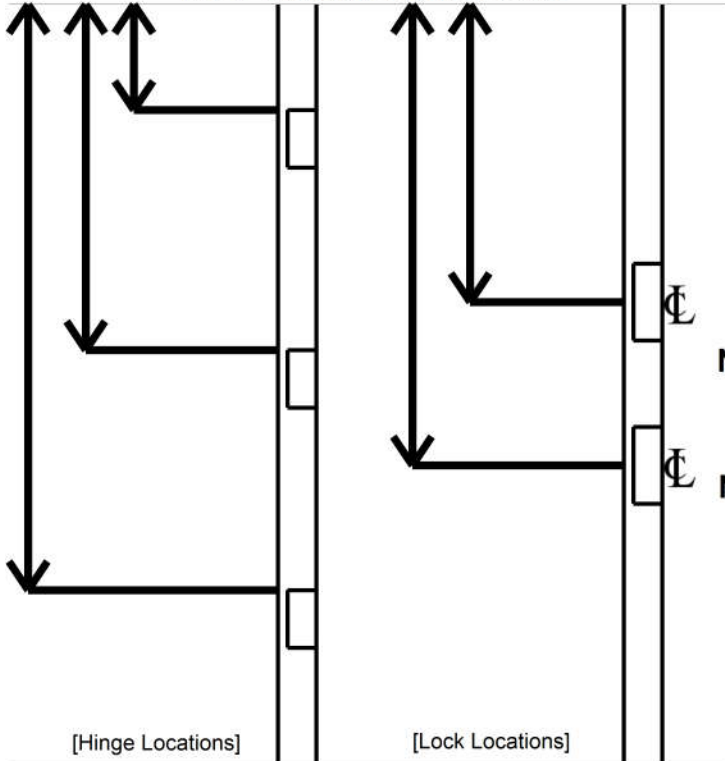
KURTZ
HARDWARE CO.
Architectural Doors & Hardware

Commercial Field Measurement Form

*All hinge dimensions from top of door (FTOD) to hinge top

*All lock dimensions FTOD to centerline of lock (if mortise lock, measure to top of face plate)

Enter Measurements Below



Fill in information & Circle all that applies

New Construction or Existing Construction

Exterior or Interior KD or Welded

Wall Composition: Wood / Metal Stud / Concrete

Door Type: Wood or Hollow Metal

Net Door Width: Inside Measurement _____

Outside Measurement _____

Net Door Height: _____

If a new frame is needed:

Rough Opening Width _____

Rough Opening Height _____

Wall Thickness _____

Circle Handing

| | |
|--|--|
| <p>LEFT HAND Hinges on Left Opens Inward</p> | <p>RIGHT HAND Hinges on Right Opens Inward</p> |
| <p>LEFT HAND REVERSE Hinges on Left Opens Outward</p> | <p>RIGHT HAND REVERSE Hinges on Right Opens Outward</p> |

Lock Backset: 2-3/4" 2-3/8"

Lever Function:

Entry / Storeroom / Classroom / Privacy / Passage / Dummy Lever

Lite Kits (visible glass size listed):

4 x 25 / 10 x 10 / 22 x 22 / 22 x 28 / _____ /

Glass: Wire / Clear / Tempered / Insulated

Fire Rated: 3hr / 90min / 45min / Not FR

Hinge Size: 4-1/2" x 4-1/2" or _____

Hardware to Include:

- | | | | |
|--------------------------|------------------------|--------------------------|---------------|
| <input type="checkbox"/> | Hinges | <input type="checkbox"/> | Flush Bolts |
| <input type="checkbox"/> | Lever Set | <input type="checkbox"/> | Surface Bolts |
| <input type="checkbox"/> | Deadlock | <input type="checkbox"/> | Kick Plates |
| <input type="checkbox"/> | Door Closer | <input type="checkbox"/> | Threshold |
| <input type="checkbox"/> | Panic Device | <input type="checkbox"/> | Weatherstrip |
| <input type="checkbox"/> | w/ keyed outside lever | <input type="checkbox"/> | Door Sweep |
| <input type="checkbox"/> | Panic Device Only | <input type="checkbox"/> | Other _____ |

Hardware Finish: _____

Contact Information

Company Name: _____

Sales Person: _____

Phone #: _____

Email: _____

Additional Notes & Specifications
